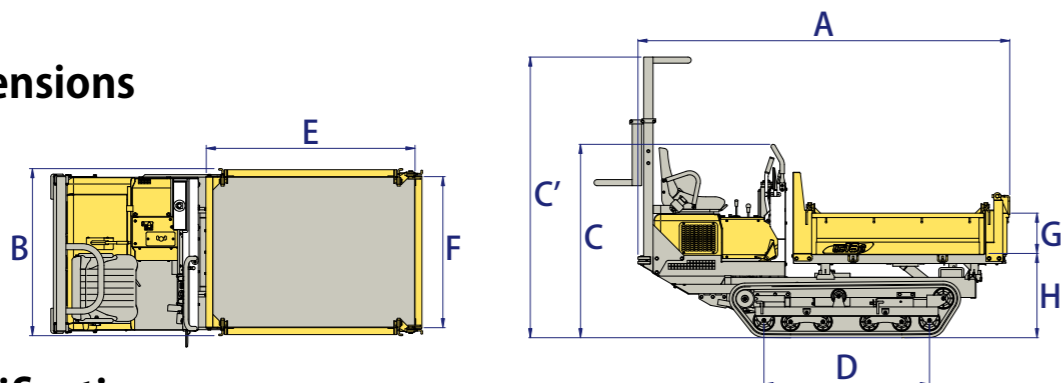


■ Dimensions



■ Specifications

Manufacturer		WINBULL YAMAGUCHI							
Model		WB04 α	WB06DB α	WB06DHL α	WB07 α	WB07 β	WB12 β	WB18 β	WB18 β -DB
Performance									
Max. Payload	kg	400	600	700	700	700	1,200	1,800	1,800
Loading Capacity	m ³	0.18	0.24	0.24	0.30	0.30	0.40	0.64	1.00
Speed-1 (F/R)	km/h	1.6 / 1.9	1.6 / 1.5	1.8 / 1.7	1.6 / 1.5	1.6 / 1.6	3.8 / 2.5	3.3 / 2.3	3.3 / 2.3
Speed-2 (F/R)	km/h	3.2 / —	3.1 / 3.0	3.5 / 3.4	3.1 / 3.0	3.2 / 3.1	6.9 / 4.7	7.4 / 5.0	7.4 / 5.0
Speed-3 (F/R)	km/h	—	5.0 / —	5.7 / —	5.0 / 4.8	5.2 / 5.0	—	—	—
Gradeability (Empty)		20°	20°	20°	20°	20°	20°	20°	20°
Ground Pressure (Empty)	kg/cm ²	0.08	0.11	0.15	0.11	0.13	0.16	0.17	0.16
Ground Pressure (Loaded)	kg/cm ²	0.23	0.28	0.37	0.29	0.31	0.38	0.41	0.40
Machine Dimensions									
Machine Weight	kg	220	380	465	450	510	810	1,170	1,170
Overall Length	A mm	1,830	1,955	1,980	2,415	2,360	2,640	2,965	2,965
Overall Width	B mm	655	780	725	880	880	950	1,310	1,560
Overall Height (Standard)	C mm	970	1,080	1,090	1,310	1,360	1,425	1,540	1,540
Overall Height (With Foldable ROPS)	C' mm	—	—	—	—	1,960	2,015	2,230	2,230
Wheelbase	D mm	760	875	875	980	980	1,180	1,315	1,315
Min. Ground Clearance	mm	105	125	125	130	130	165	195	195
Crawler Distance C/C	mm	460	580	545	620	620	720	950	950
Crawler Width	mm	180	200	180	200	200	230	280	280
Crawler Size (Width×Link×Pitch)	mm	180×38×60	200×39×72	180×39×72	200×39×72	200×39×72	230×50×72	280×55×72	280×55×72
Bucket Dimensions									
Inside Length	E mm	1,150	1,250	1,250	1,250	1,250	1,470	1,660	1,775
Inside Width	F mm	570	650	650	820	820	840	1,200	1,450
Inside Height	G mm	280	350	350	350	350	320	320	500
Floor Height	H mm	290	425	500 - 1,430	465	465	590	570	570
Engine									
Tank Capacity	L	2.5	3.6	3.6	3.6	8.5	14.8	20	20
Model		MITSUBISHI GB130	KUBOTA OC60	KUBOTA OC60	KUBOTA OC60	KUBOTA OC60	KUBOTA Z482	KUBOTA D902	KUBOTA D902
Displacement	cc	126	276	276	276	276	479	898	898
Nominal Output	PS/rpm	3 / 1,800	6 / 1,700	6 / 1,700	6 / 1,700	6 / 3,400	13 / 3,600	22 / 3,200	22 / 3,200
	kw/rpm	2.3 / 1,800	4.4 / 1,700	4.4 / 1,700	4.4 / 1,700	4.4 / 3,400	9.5 / 3,600	16.1 / 3,200	16.1 / 3,200
Max. Engine Torque	kgm/rpm	1.6 / 1,400	2.5 / 1,200	2.5 / 1,200	2.5 / 1,200	1.25 / 2,400	3.0 / 2,600	5.7 / 2,400	5.7 / 2,400
Fuel Consumption(Based on Rated Output)	L/h	1.2	1.4	1.4	1.4	1.2	2.9	4.4	4.4
Hydraulic									
Transmission		Mechanical	Mechanical	Mechanical	Mechanical	Mechanical	HST+ Mechanical	HST+ Mechanical	HST+ Mechanical
Piston Pump Capacity	L/rpm	—	—	—	—	—	48.7 / 3,600	48.2 / 3,200	48.2 / 3,200
Relief Valve Piston Pump	bar	—	—	—	—	—	185	245	245
Gear Pump Capacity	L/rpm	3.7 / 1,800	6.7 / 1,700	6.7 / 1,700	9.2 / 1,700	7.0 / 3,400	7.8 / 3,600	7.1 / 3,200	7.1 / 3,200
Relief Valve Gear Pump	bar	93.2	93.2	93.2	93.2	93.2	137.3	166.7	166.7
Battery		—	12V×28Ah	12V×28Ah	12V×28Ah	12V×28Ah	12V×36Ah	12V×36Ah	12V×36Ah

※Specifications are subject to change without prior notice.



YUASA TRADING CO., LTD.

13-10, Nihonbashi-Odenmachi, Chuo-ku, Tokyo 103-8570, Japan
 TEL : +81-3-3665-6415 FAX : +81-3-3665-6816
 Website : <http://www.yuasa.co.jp/english>

Contact

AGRICULTURAL CRAWLER CARRIER



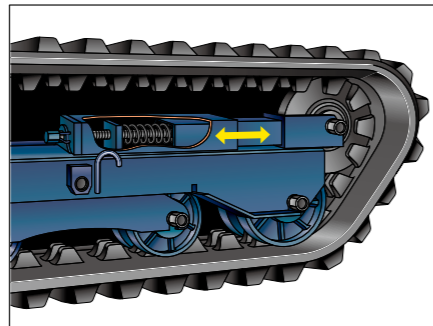
WB Series WB04 α WB06DB α WB06DHL α WB07 α WB07 β WB12 β WB18 β WB18 β -DB

MADE IN JAPAN

Quality Products from JAPAN

Winbull Yamaguchi

Low emissions
Low noise level
Low running cost
Low maintenance
Low vibration



Spring loaded automatic tension bolt



Under roller / bogie type



Spacious operator's area



Coolant temperature gauge

Example of Recent Work

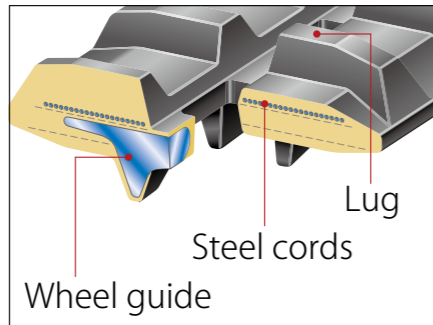
Oil palm FFB/EFB evacuation (Model : WB07 α)



Oil palm FFB evacuation (Model : WB16)



Hydrostatic transmission (HST)



Heavy duty rubber crawler



The first-class Japanese engines



Foldable ROPS (Option)

Lineup



WB04 α
Walk behind type



WB06DB α
Walk behind type



WB06DHL α
Walk behind type



WB07 α
Ride-on type



WB07 β
Ride-on type ※Foldable ROPS (Option)



WB12 β
Ride-on type ※Foldable ROPS (Option)



WB18 β
Ride-on type ※Foldable ROPS (Option)



WB18 β -DB
Ride-on type ※Foldable ROPS (Option)
Oil palm bucket